

# AM/FM STEREO TUNER

# NT-950

## INSTRUCTION MANUAL SAFETY INSTRUCTIONS MODE D'EMPLOI



<b>OPERATING INSTRUCTIONS</b>	<b>page</b>	<b>1</b>
<b>SAFETY INSTRUCTIONS</b>	<b>page</b>	<b>6</b>
<b>MODE D'EMPLOI</b>	<b>page</b>	<b>8</b>

FOR CUSTOMERS IMPORTANT FOR YOUR SAFETY

(APPARATUS THAT EMPLOYS A SUPPLY CORD TERMINATED WITH A POLARIZED TWO-PRONG ATTACHMENT PLUG)

"CAUTION: TO PREVENT ELECTRIC SHOCK DO NOT USE THIS (POLARIZED) PLUG WITH AN EXTENSION CORD, RECEPTACLE OR OTHER OUTLET UNLESS THE BLADES CAN BE FULLY INSERTED TO PREVENT BLADE EXPOSURE.

"ATTENTION: POUR PRÉVENIR LES CHOCS ÉLECTRIQUES, NE PAS UTILISER CETTE FICHE POLARISÉE AVEC UN PROLONGATEUR, UNE PRISE DE COURANT OU UNE AUTRE SORTIE DE COURANT, SAUF SI LES LAMES PEUVENT ÊTRE INSÉRÉES À FOND SANS EN LAISSER AUCUNE PARTIE À DÉCOUVERT.



**CAUTION!**  
RISK OF ELECTRIC SHOCK.  
DO NOT OPEN!



CAUTION: TO PREVENT ELECTRIC SHOCK DO NOT REMOVE ANY COVERS. NO USER SERVICEABLE PARTS INSIDE. REFER SERVICING TO QUALIFIED SERVICE PERSONNEL.

**WARNING:** TO PREVENT FIRE OR SHOCK HAZARD, DO NOT EXPOSE THIS APPLIANCE TO RAIN OR MOISTURE.



The lightning flash with arrowhead symbol, within an equilateral triangle, is intended to alert the user to the presence of uninsulated "dangerous voltage" within the product's enclosure that may be of sufficient magnitude to constitute a risk of electric shocks to persons.



The exclamation point within an equilateral triangle is intended to alert the user to the presence of important operating and maintenance (servicing) instructions in the literature accompanying the appliance.

The space below is provided to record the Serial Number of this unit. The Serial Number can be found on the back of the product.

Serial No.: \_\_\_\_\_

Retain this information for future reference.

# NIKKO



## INTRODUCTION

Thank you for selecting the NIKKO AM/FM Stereo Tuner NT-950. Every NIKKO product passes a series of strict quality control tests before shipment to ensure total reliability. In order to get the most out of your AM/FM Stereo Tuner, please read this Instruction Manual carefully and follow its instructions. Should you have any doubts or questions, please contact your nearest NIKKO dealer.

## PRECAUTIONS

### Installation

In order to derive maximum performance from the unit, please pay close attention to the following points:

- Do not place the unit in a location exposed to direct sunlight and keep away from heat (stoves, etc.).  
Make sure the unit is well ventilated and is not exposed to moisture or dampness.
- Do not place the unit in a location with excessive dust.
- Make sure the unit is placed on a flat, stable surface, free from vibrations.

- Do not expose the unit to flammable objects and avoid the use of spray cans (hair sprays, etc.) near the unit.
- Be sure to install the unit in a level position. Do not use the unit in a vertical or slanted position as overheating of internal parts may result, badly damaging the unit.

This unit is designed so that heat created during operation is dissipated through the ventilation openings in the top and bottom panels. Maintain free and unrestricted ventilation, and do not remove the feet of the unit. Avoid blocking the ventilation openings (be careful of curtains, draperies, rugs, etc. blocking the openings). When installing in a rack or shelf, be sure the unit is properly ventilated. Allow at least 2 inches of space on all sides.

**Warning:** To prevent fire or shock hazard, do not expose this appliance to rain or moisture.

## SPECIFICATIONS

### FM Tuner Section

Usable Sensitivity .....	11.2 dBf/2 $\mu$ V	
$\rho$ dB Quieting Sensitivity		
STEREO .....	WIDE: 39.2 dBf	NARROW: 39.2 dBf
MONO .....	WIDE: 22.2 dBf	NARROW: 17.2 dBf
Signal-to-Noise Ratio		
STEREO .....	70 dB	
MONO .....	75 dB	
Total Harmonic Distortion		
STEREO .....	WIDE: 0.08%	NARROW: 0.2%
MONO .....	WIDE: 0.05%	NARROW: 0.1%
Stereo Separation		
1 kHz .....	WIDE: 50 dB	NARROW: 45 dB
100 Hz to 10 kHz .....	WIDE: 40 dB	NARROW: 35 dB
Frequency Response		
(50 Hz to 15 kHz) .....	+1.0 dB, -2.0 dB	
Capture Ratio .....	WIDE: 1.5 dB	NARROW: 2.0 dB
Alternate Channel Selectivity .....	50 dB	80 dB
Spurious Response Ratio .....	75 dB	75 dB
IF Rejection Ratio .....	90 dB	90 dB
AM Suppression Ratio .....	60 dB	60 dB
Sub-Carrier Suppression .....	67 dB	67 dB
Muting Threshold Level ..	WIDE: 35.2 dBf	NARROW: 35.2 dBf
Antenna Impedance .....	75 ohms and 300 ohms	
Output Level .....	600 mV	

### AM Tuner Section

Usable Sensitivity .....	350 $\mu$ V/m
Selectivity .....	40 dB
Signal-to-Noise Ratio .....	50 dB
Image Rejection .....	40 dB
IF Rejection .....	40 dB
Total Harmonic Distortion .....	0.5%
Output Level .....	200 mV

### General

Power Requirement	
U.S.A. & Canada .....	AC 120 V, 60 Hz
Europe .....	AC 220 V, 50 Hz
Power Consumption .....	12W
Dimensions .....	440 (W) x 43.5 (H) x 265 (D) mm (17-1/4" x 1-3/4" x 10-2/5")
Weight, without package .....	3.2 kg (7 lbs)

### Accessories

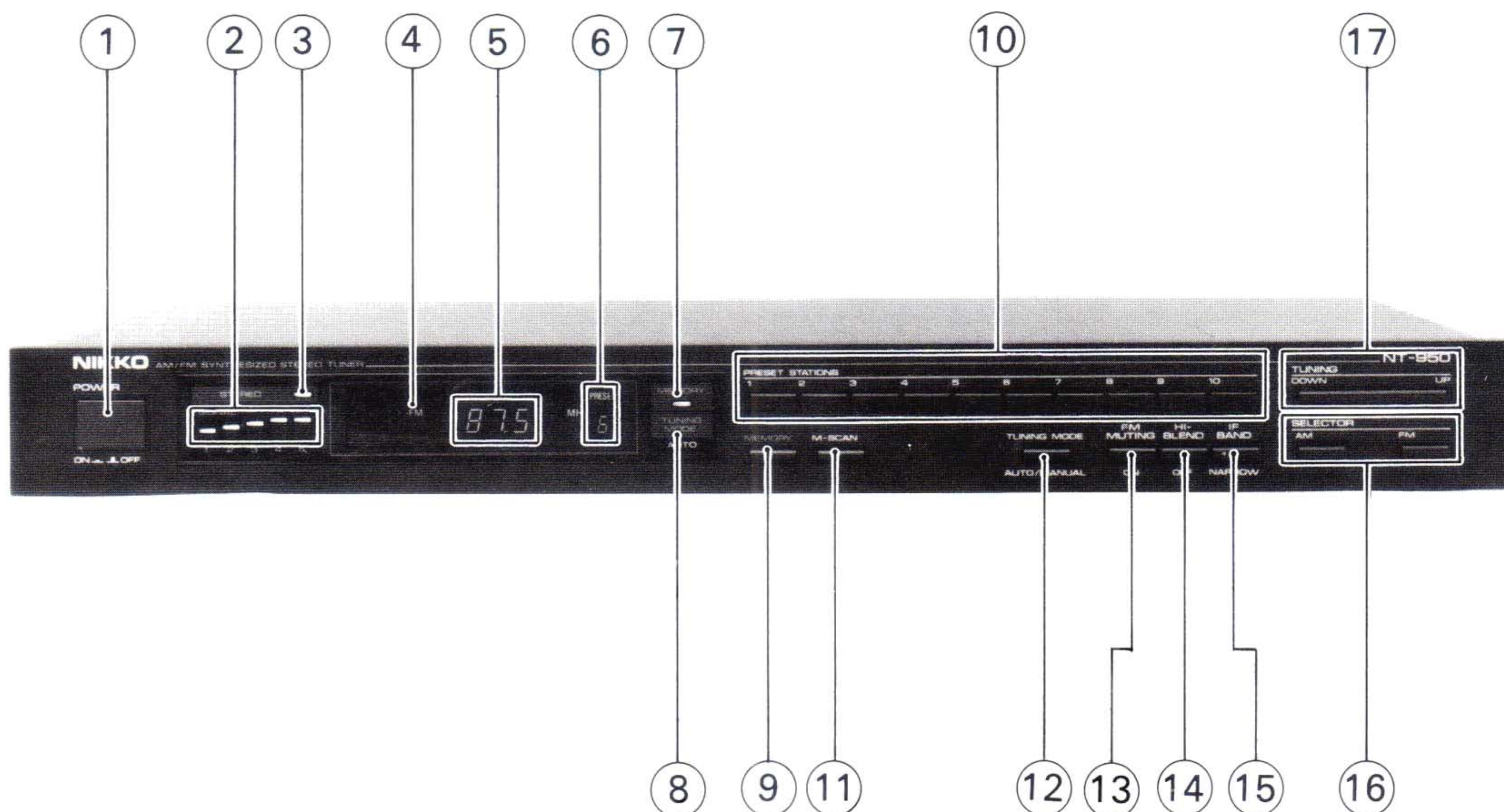
Q-MATCH Antenna .....	1
AM Loop Antenna .....	1
Pin Plug Cord .....	1

\* Specifications are subject to change without notice.

The RM4 Rack Mount Adaptor is included as optional equipment.



# CONTROLS



## 1 POWER ON/OFF Button

This button turns the power on and off.

## 2 SIGNAL Strength Indicator

This indicator shows the strength of AM and FM station signals.

## 3 STEREO Indicator

This indicator lights up when FM stereo broadcasts are being received.

## 4 Function Indicator

This indicator shows whether the received station is an AM or FM station.

## 5 Frequency Display

Shows the tuned in FM or AM frequency with 4 digits.

## 6 Preset Channel Display

Shows the channel number on which the station you are listening to has been preset. When power is turned off and then turned on again, the channel that was last selected will be shown.

## 7 MEMORY Indicator

This indicator starts flashing when the MEMORY button is pressed. While it is flashing, press one of the PRESET STATIONS button to memorize the tuned in station.

## 8 TUNING MODE Indicator

Lights up when the automatic tuning mode is set.

## 9 MEMORY Button

Use this button to program up to 10 FM and 10 AM stations on the preset buttons.

The preset stations will be retained in the memory even when the power is turned off. The stored information will last for 4 days in case of a power failure or if the power cord has been disconnected from the AC outlet.

## 10 PRESET STATIONS Buttons

To quickly tune in an FM or AM station, press the button on which the desired station has been memorized. The frequency of the tuned in FM or AM station will be shown on the frequency display 5.

- Refer to page 4 for details on memorizing stations on the PRESET STATIONS buttons.

## 11 M-SCAN Button

Pressing this button causes the preset stations to be scanned in order. See page 4 for more detailed information on the M-SCAN function.

## 12 TUNING MODE Button (AUTO/MANUAL)

Use this button to select between automatic and manual station tuning. The TUNING MODE indicator 8 lights up when the unit is in the AUTO tuning mode. Pressing this button once more returns the unit to the MANUAL tuning mode and causes the TUNING MODE indicator to go out.

## 13 FM MUTING Button

If noise is offensive to the ear when receiving an FM stereo broadcast, or if the signal is weak, press this button (to set it in the "MONO" position). The indicator lights up.

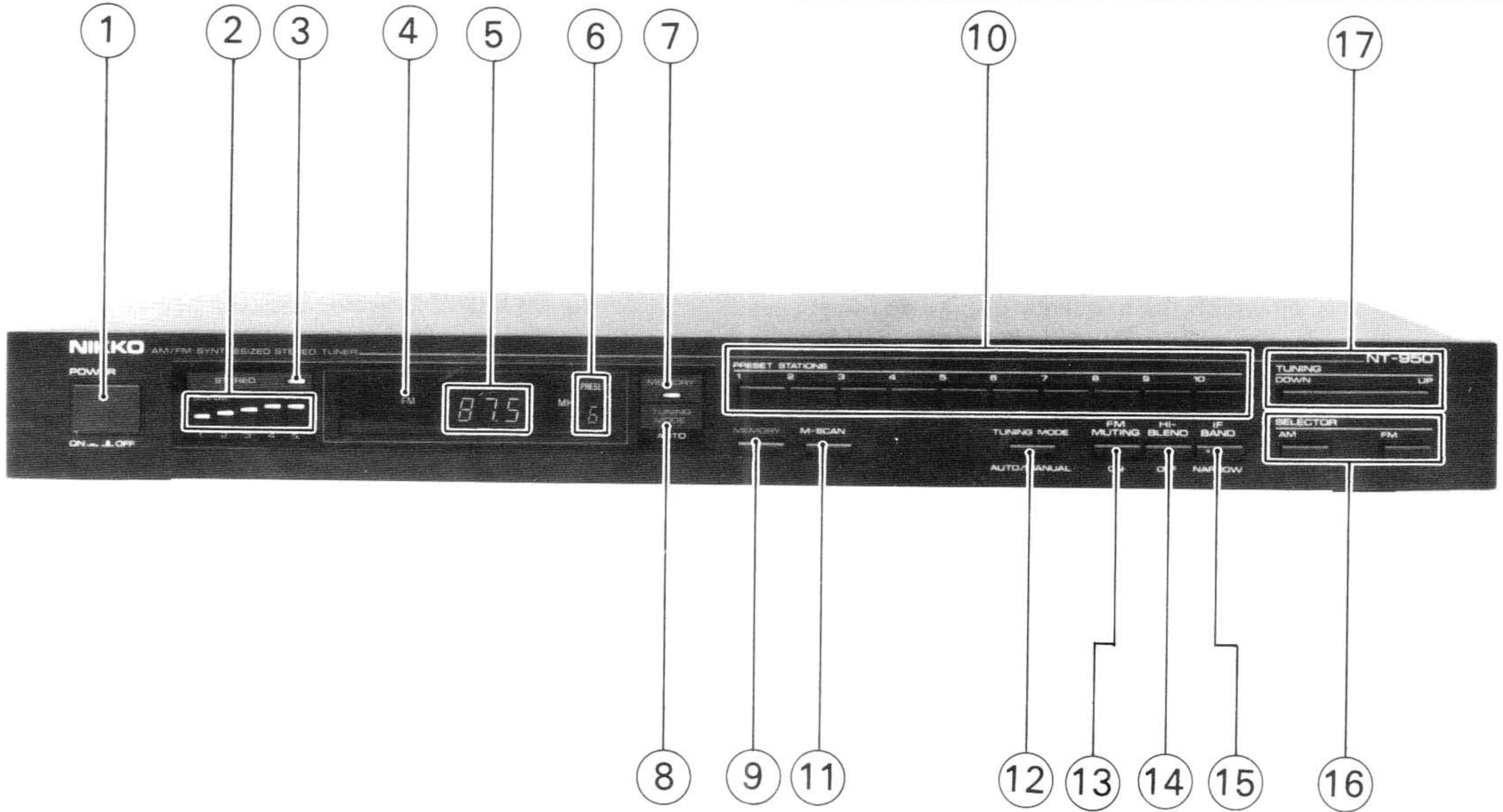
Engaging the MONO mode, the right and left channel signals will come out mixed from the speakers with less noise.

## 14 Hi-Blend Button

Press this button to eliminate high frequency noise from incoming signals. The indicator lights up.



# CONTROLS



## 15 IF BAND/NARROW Button

Set this button to IF BAND when receiving conditions are good (strong signal, close stations) and there is little noise. The indicator will light up, and you will enjoy a high-quality sound reception. For weak, noisy stations, set this button to NARROW. The indicator will go off.

## 16 FM/AM SELECTOR Buttons

FM: For FM reception.  
AM: For AM reception.

## 17 TUNING Button

The displayed frequency increases when the right side (UP) of the button is pressed and decreases when the left side (DOWN) is pressed.

- When the TUNING MODE button 12 is set to AUTO, pressing this button once causes the displayed frequency to increase or decrease continuously until a station is found.
- When the TUNING MODE button 12 is set to MANUAL, the displayed frequency changes in small steps with each press. If the button is pressed for more than 0.5 sec., the frequency changes continuously until the button is released.

Note: If a station's signal is too weak, automatic tuning of this station is not possible. Tune in the station manually.



# CONNECTIONS AND OPERATION

## How to Use the Preset Memory

### A. TO STORE A STATION

- (1) Press the FM or AM selector button ⑯.
- (2) Use the TUNING button ⑰ to tune in the desired station. The station frequency is shown on the frequency display ⑤. Best reception is obtained when all the LED segments of the SIGNAL strength indicator ② are lit.
- (3) When the desired station has been found, press the MEMORY button ⑨.
- (4) The indicator at the top of the MEMORY button lights up. Now press one of the PRESET STATIONS buttons (1 to 10) while the MEMORY indicator is lit. When you press a button, the indicator corresponding to that button lights up and the MEMORY indicator goes out.

Up to ten FM stations and ten AM stations can be entered into the preset memory in this manner.

Note: • Once the MEMORY button has been pressed, the MEMORY indicator lights for 5 sec. You must press one of the PRESET STATIONS buttons while the MEMORY indicator is lit. If the MEMORY indicator goes out and you did not press a preset button, the station cannot be entered into the memory. In this case, press the MEMORY button once more.

### B. TO RECALL A PRESET STATION

- (1) Press the FM or AM selector button ⑯.
- (2) Press the PRESET STATIONS button ⑩ on which the desired station has been memorized.

Note: • If the unit has been disconnected from the power outlet for four days or more, the preset memory may be erased.

### C. TO ERASE A PRESET STATION

In order to erase a station and memorize a new one, just follow steps 1 to 4 above. The previous station is thus erased and the new one is entered into the preset memory.

## The M-SCAN Function

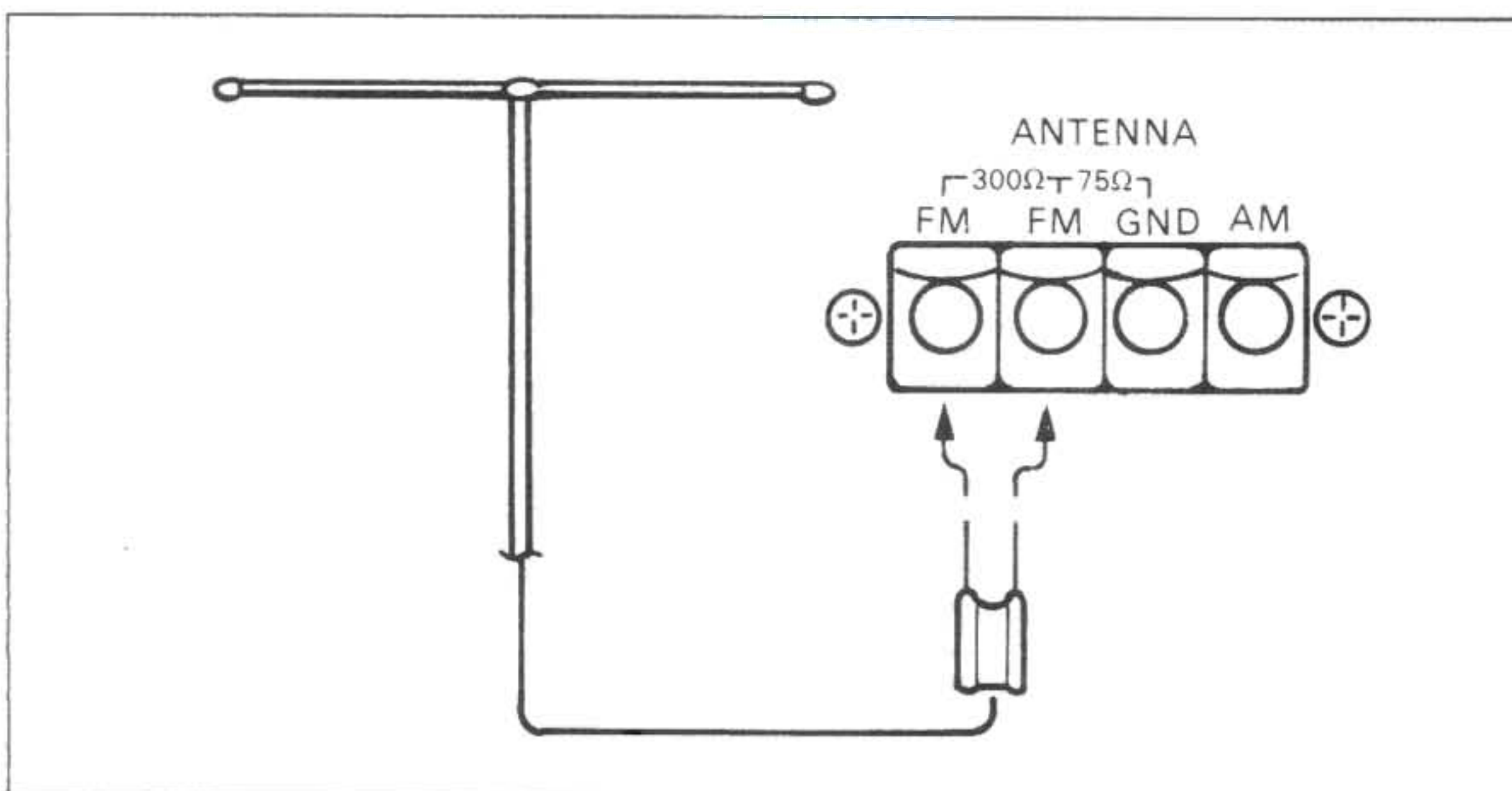
When the M-SCAN button ⑪ is pressed, the preset stations are automatically scanned in order, from the lowest to the highest memory number.

The preset stations' frequencies are displayed one after the other on the frequency display ⑤ and the indicator corresponding to the PRESET STATIONS button on which the displayed frequency is memorized lights up simultaneously.

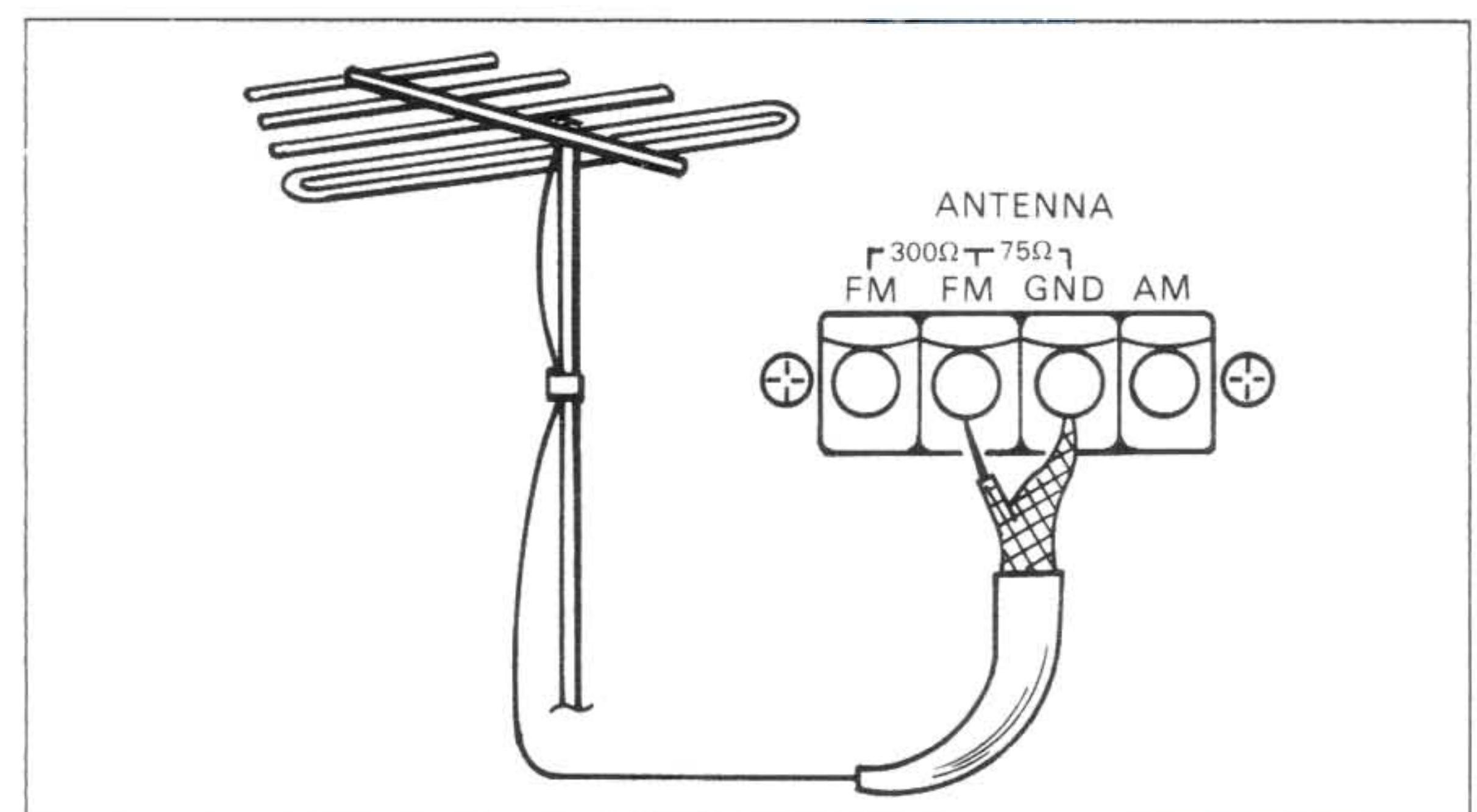
## FM Operation

### • FM antenna

- (1) Connect the supplied T-type antenna to the FM 300 ohms jacks on the back panel.
- (2) Stretch out both ends of the antenna and slowly move the antenna around until the best reception position is found (use the SIGNAL strength indicator as a reference). Then fix the antenna onto a wall or the like in the same position.



The T-type antenna is used in areas with strong FM signals. If FM reception is poor, install an outdoor antenna with the correct number of elements for your area. When connecting an outdoor antenna, use 300 ohms parallel feeder cable or 75 ohms coaxial cable. 75 ohms coaxial cable is preferable if you experience noise from vehicles ignition.





# CONNECTIONS AND OPERATION

## • Connection of a Coaxial Cable

For connection of a coaxial cable, strip off the cable sheath, separate the mesh from the center core and then strip off approx. 15mm (0.59 in) of the center core insulation. Then, connect the exposed center core wire to the 75  $\Omega$  FM terminal and connect the mesh to the GND terminal.

## • FM Reception

- (1) Press the FM button ⑯.
- (2) Tune in the desired FM station using the PRESET STATIONS buttons ⑩ or the TUNING button ⑰. Best reception is obtained when all the LED segments of the SIGNAL strength indicator ② are lit.
- (3) If the station is broadcasting in stereo, the STEREO indicator ③ lights.

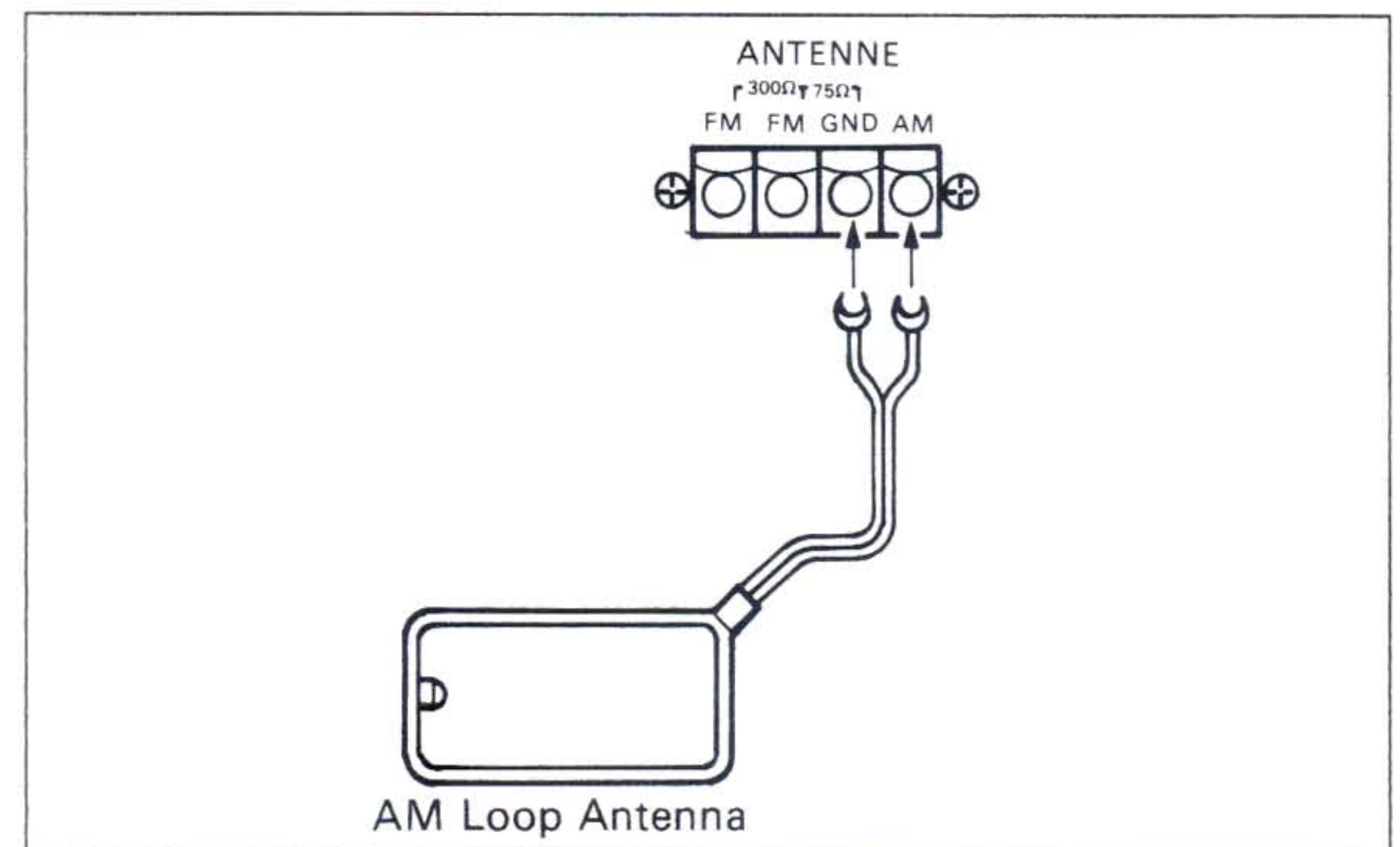
## AM Operation

### • AM Antenna

This unit incorporates a high performance loop antenna for AM reception. Use pins to fix it to the wall. This will assure you of the clearest possible signal.

### AM Reception

- (1) Press the AM button ⑰.
- (2) Tune in the desired AM station using the PRESET STATIONS buttons ⑩ or the TUNING button ⑰. Best reception is obtained when all the LED segments of the SIGNAL strength indicator ② are lit.

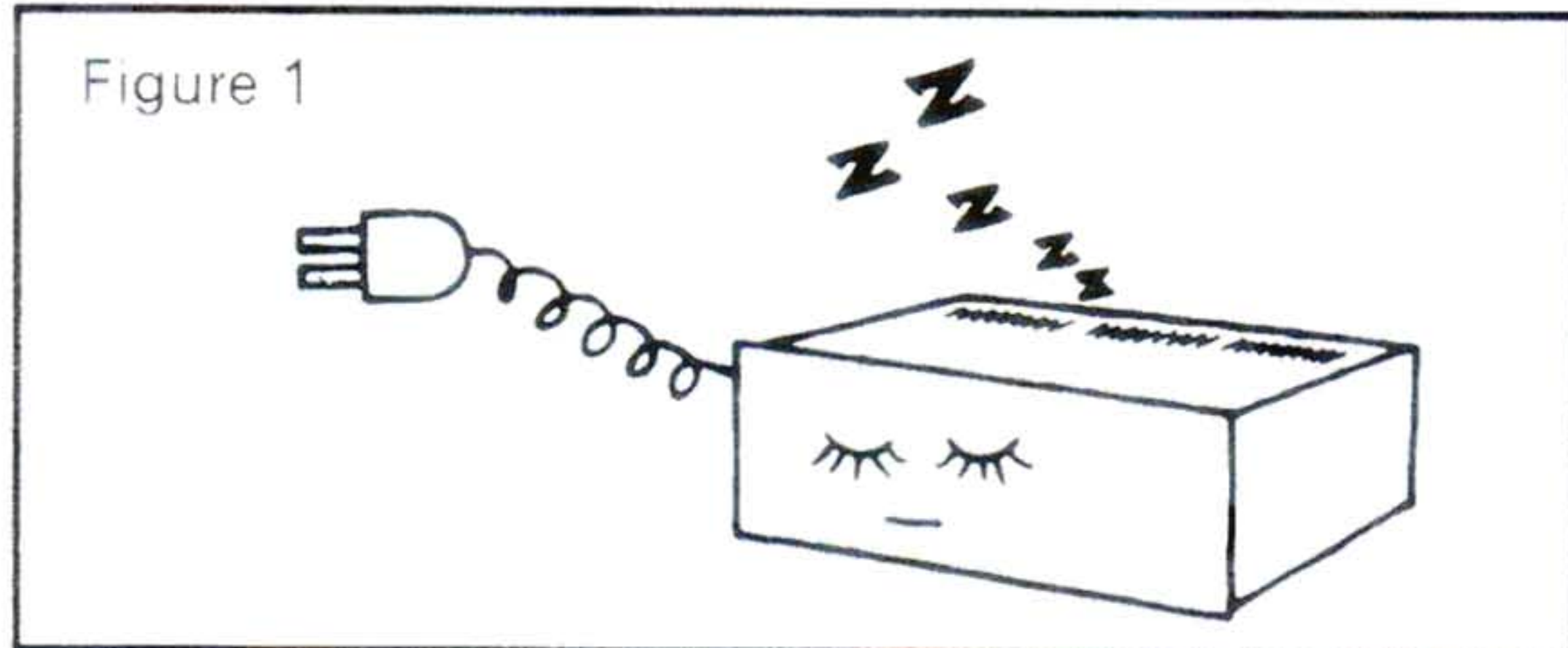




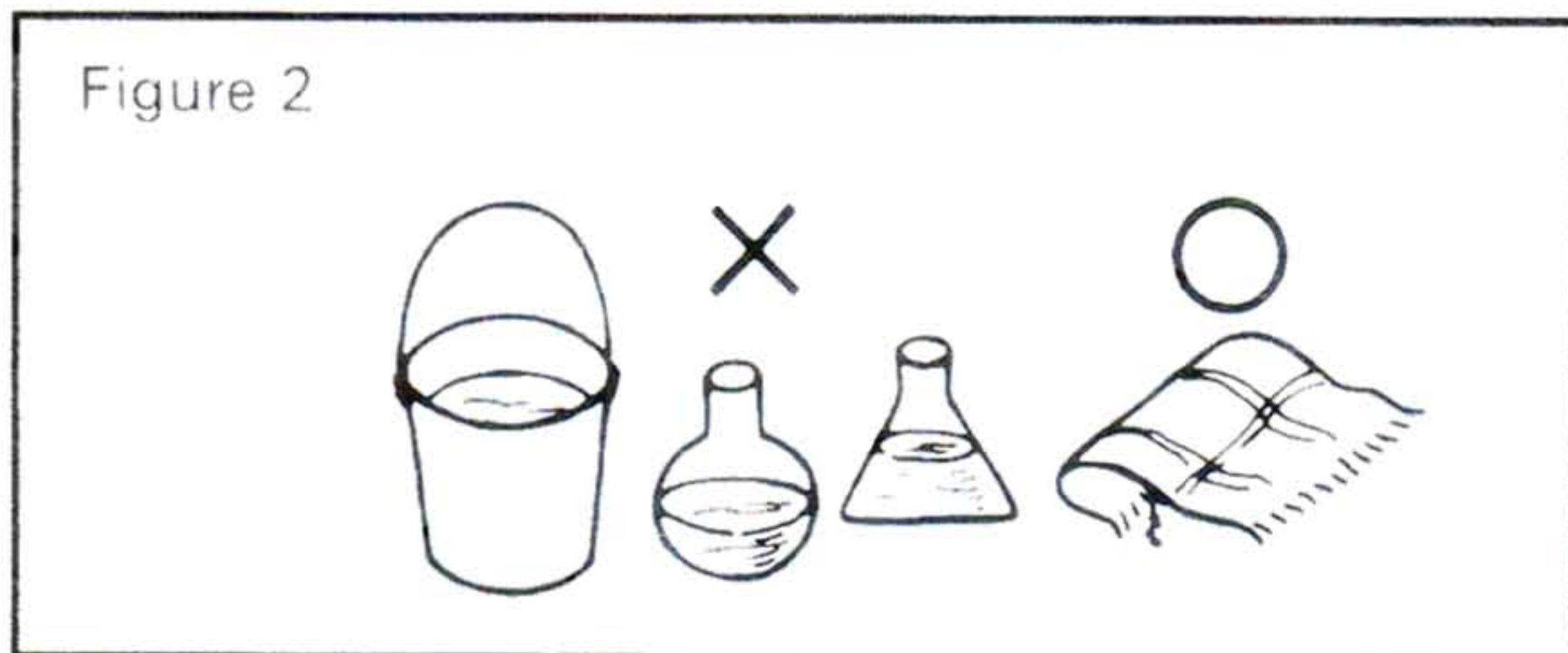
## SAFETY INSTRUCTIONS

1. Read Instructions - All safety and operating instructions should be read before the audio equipment (tuner, pre-main amplifier, receiver, etc.) is operated.
2. Retain Instructions - The safety and operating instructions should be retained for future reference.
3. Heed Warnings - All warnings on the appliance and in the operating instructions should be adhered to.
4. Follow Instructions - All operating and use instructions should be followed.
5. Water and Moisture - The appliance should not be used near water - for example, near a bathtub, washbowl, kitchen sink, laundry tub, in a wet basement, near a swimming pool, etc.

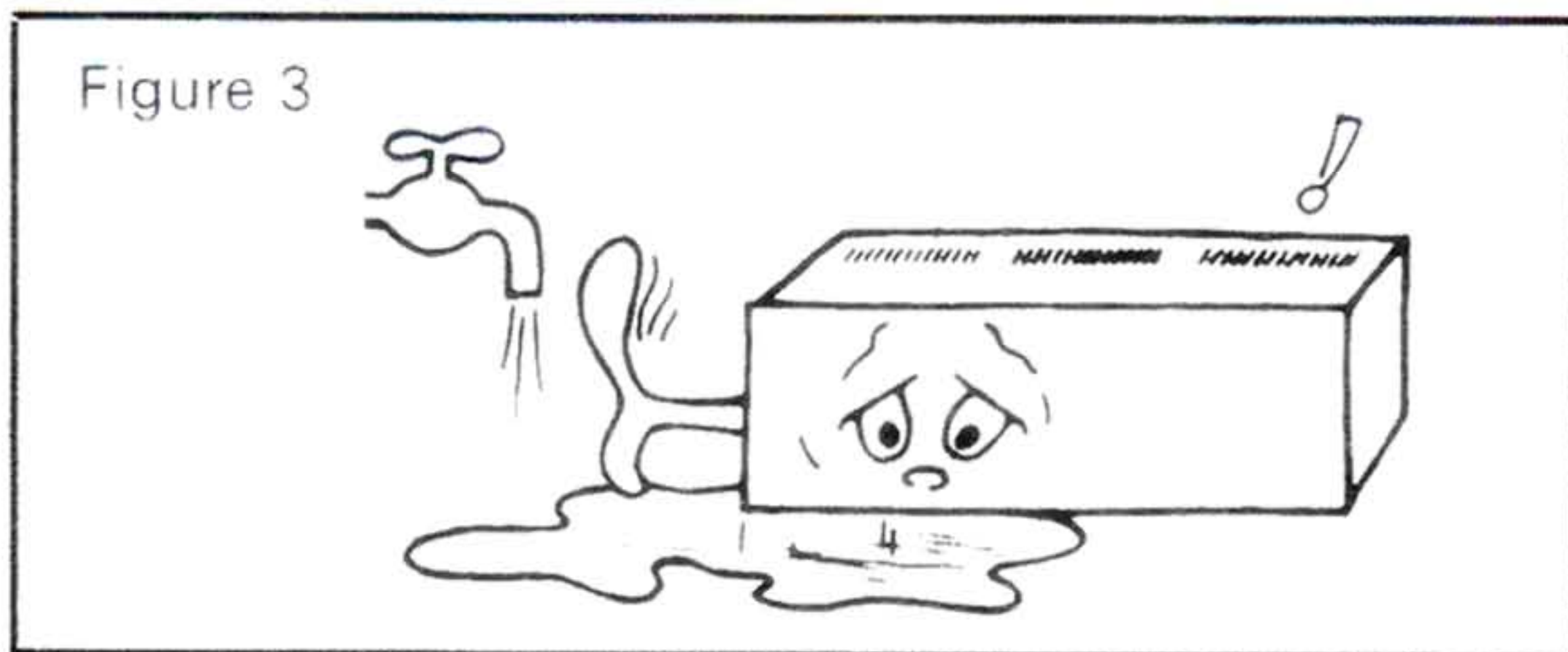
1. Unplug the audio equipment from the wall outlet before cleaning.



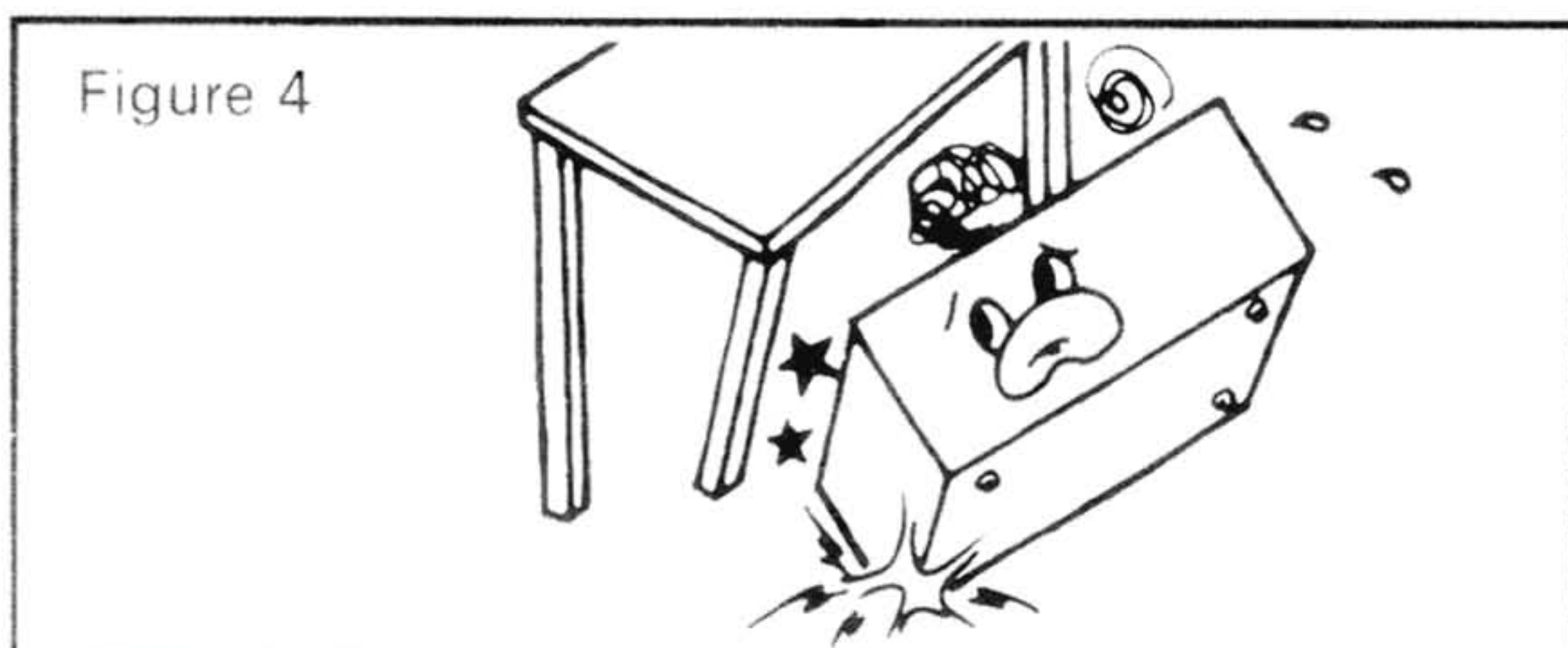
2. Do not use liquid cleaners or aerosol cleaners. Use a damp cloth for cleaning.



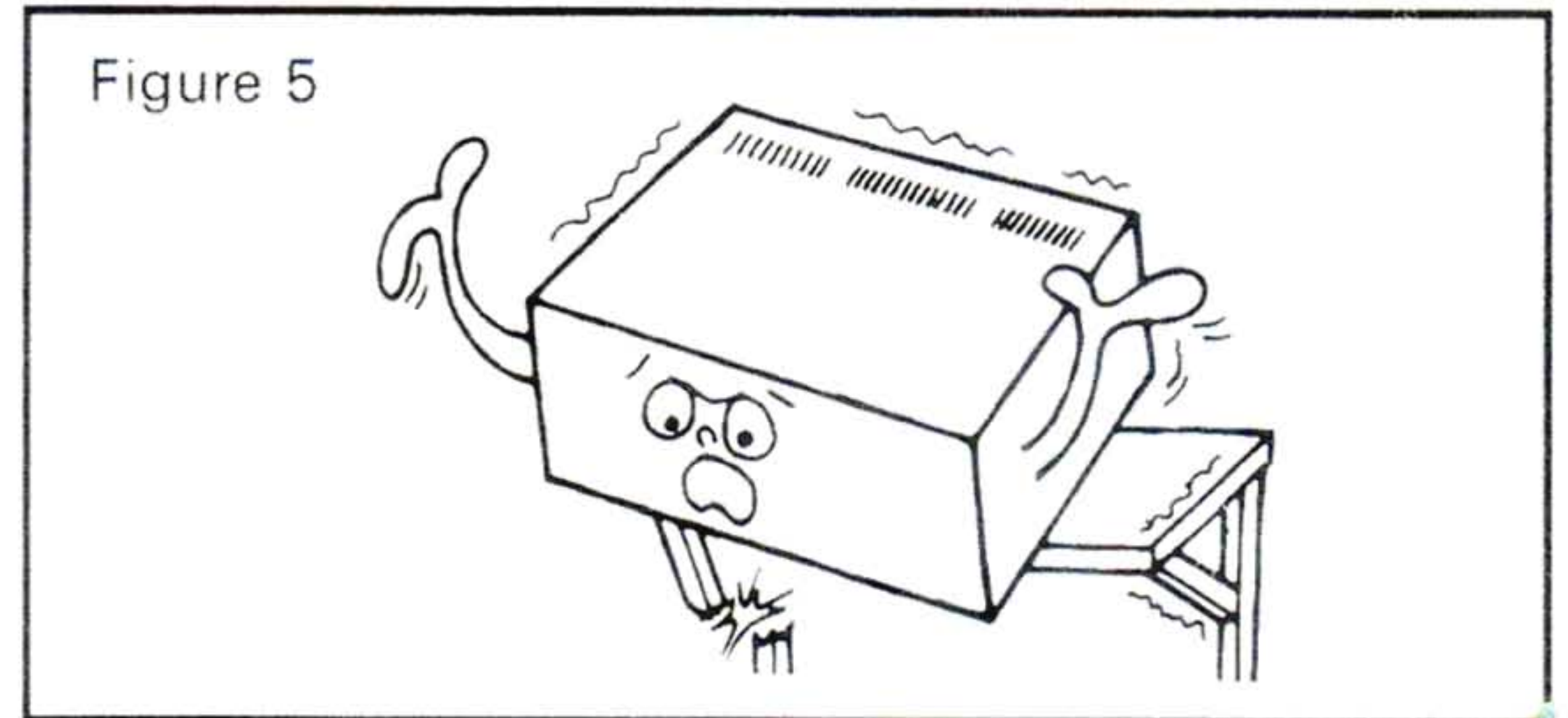
3. Do not use this audio equipment near water - for example near a bathtub, washbowl, kitchen sink, laundry tub, in a wet basement, near a swimming pool, etc.



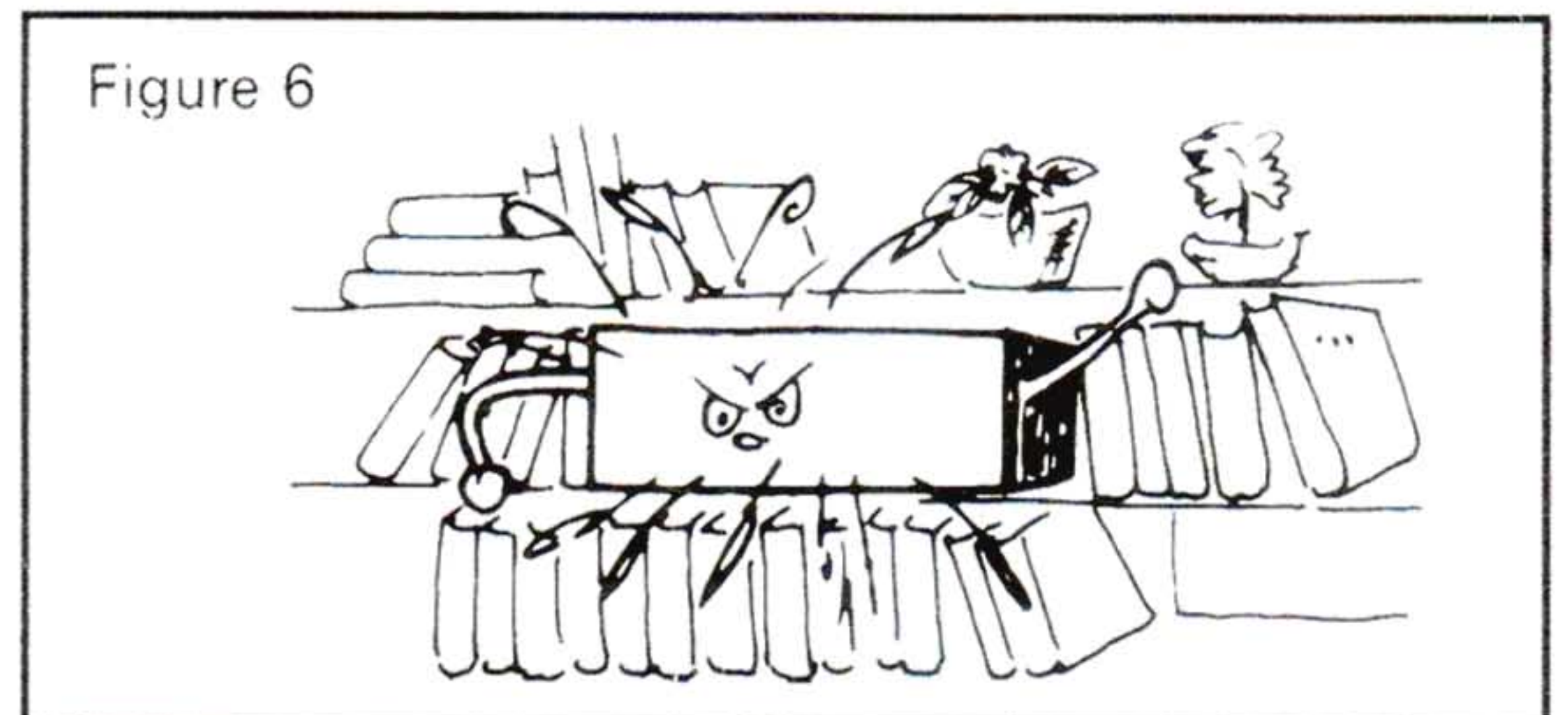
4. Do not place this audio equipment on an unstable rack, stand, or table. The audio equipment may fall, causing serious injury to a child or an adult, and serious damage to the appliance. Use only with a rack or a stand recommended by the manufacturer or sold with the audio equipment.



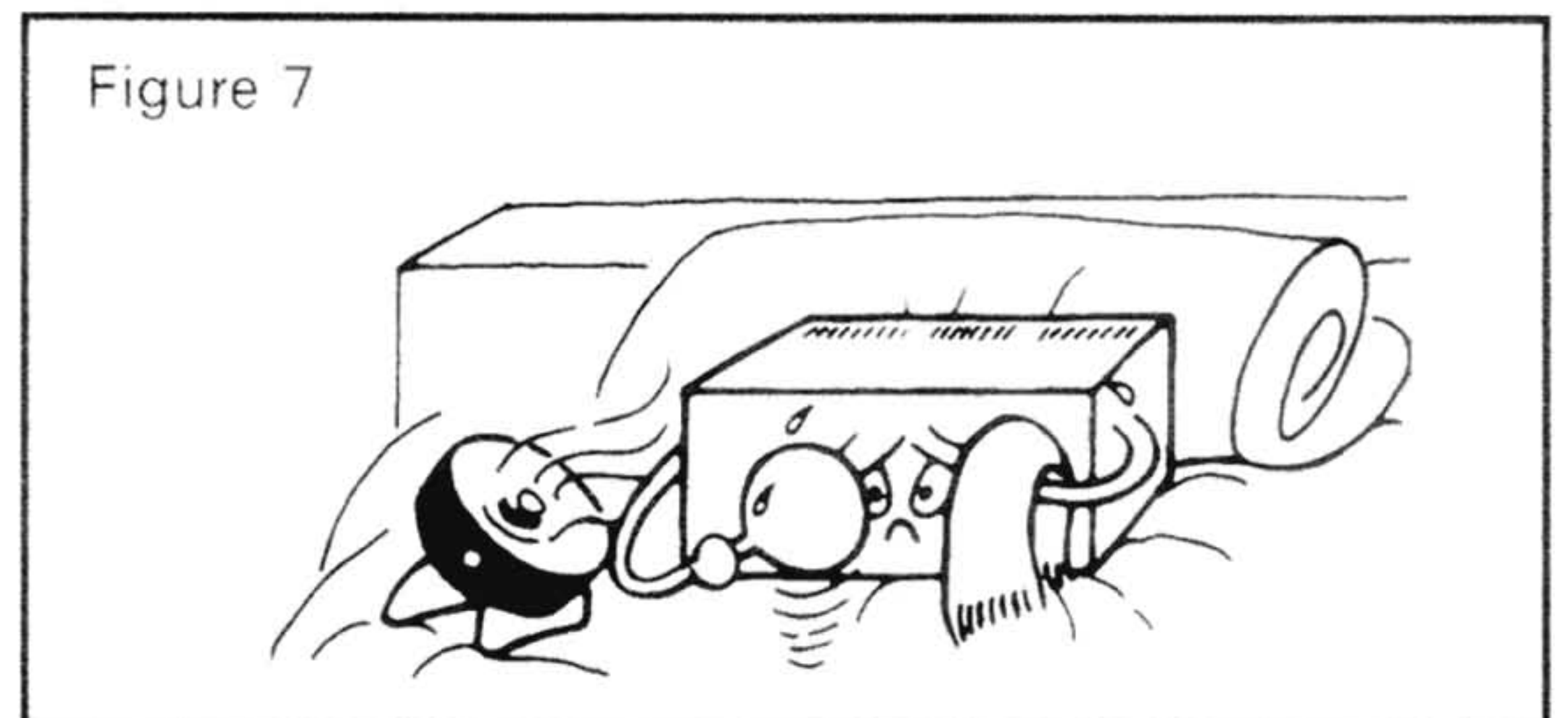
5. Wall or shelf mounting should follow the manufacturer's instructions, and should use a mounting kit approved by the manufacturer.



6. Slots and openings in the cabinet and in the back or bottom are provided for ventilation, to ensure reliable operation of the audio equipment and to protect it from overheating. This audio equipment should not be placed in a built-in installation such as a bookcase, unless proper ventilation is provided.



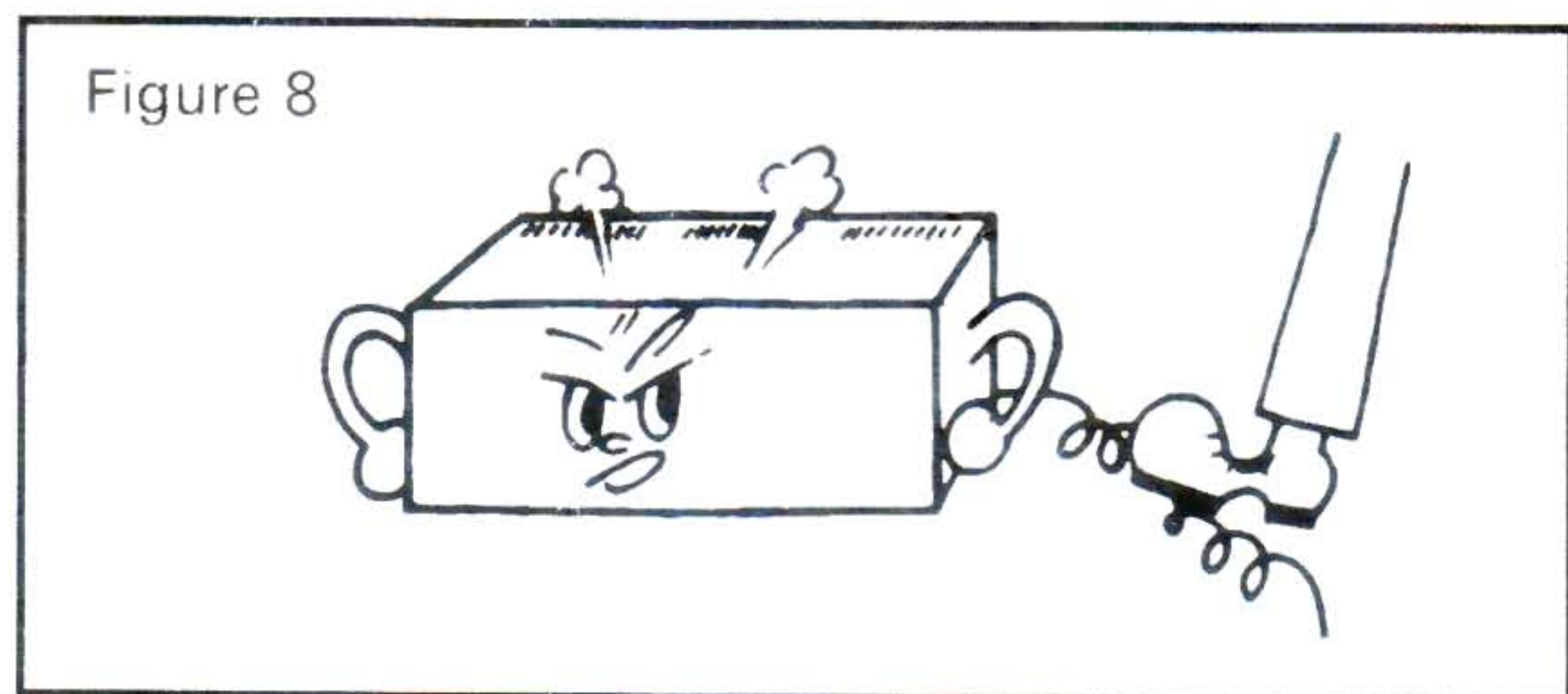
7. The openings should never be covered with a cloth or other material, and the bottom openings should not be blocked by placing the audio equipment on a bed, sofa, rug, or other similar surface. This audio equipment should never be placed near or over a radiator or heat register.



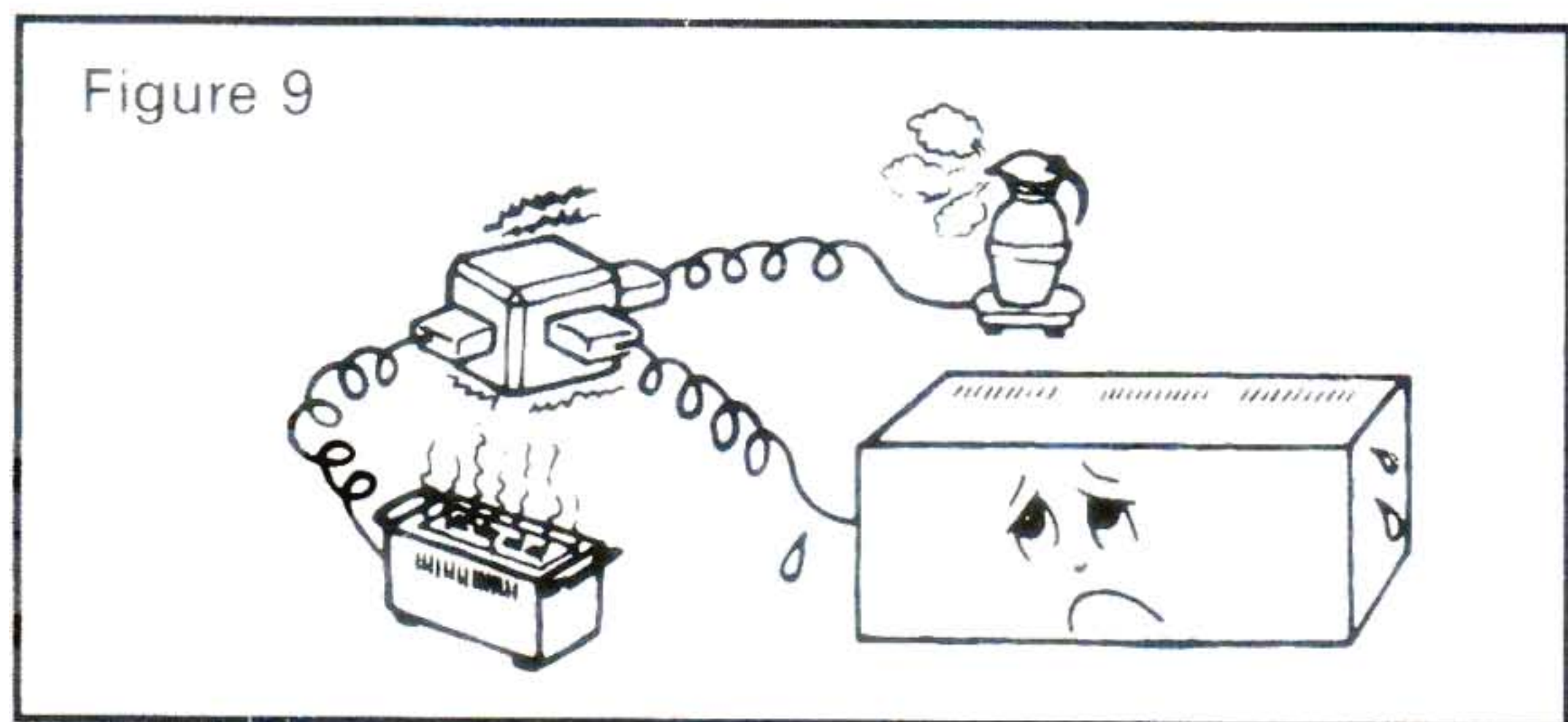
8. This audio equipment should be connected to a power supply only of the type described in the operating instructions or marked on the rear panel of the appliance.
9. The power supply cord should be routed so that it is not likely to be walked on or pinched by items placed upon or against it. Pay particular attention to cord at plug, convenience receptacles, and the point where it exits from the appliance.



10. Do not overload wall outlets and extension cords as this can result in fire or electric shock.



11. Do not use attachments not recommended by the audio equipment manufacturer as they may cause hazards.

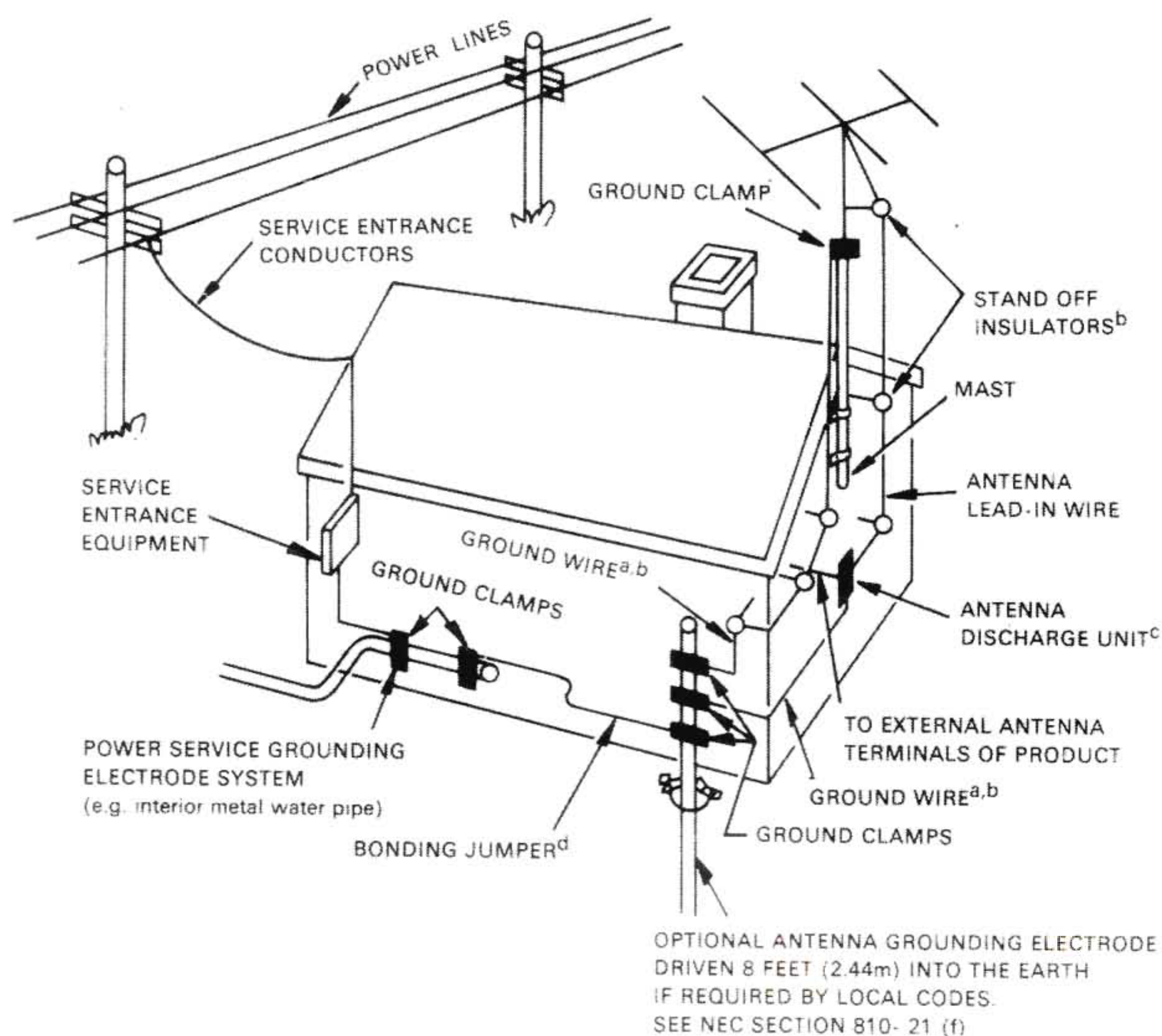


12. Power Lines - An outdoor antenna should be located away from power lines.

13. Outdoor Antenna Grounding - If an outside antenna is connected to the receiver, be sure the antenna system is grounded so as to provide some protection against voltage surges and build up of static charges. Section 810 of the National Electrical Code, ANSI/NFPA No. 70-1984, provides information with respect to proper grounding of the mast and supporting structure, grounding of the lead-in wire to an antenna discharge unit, size of grounding conductors, location of antenna discharge unit, connection to grounding electrodes, and requirements for the grounding electrode. See Figure 10.

Figure 10

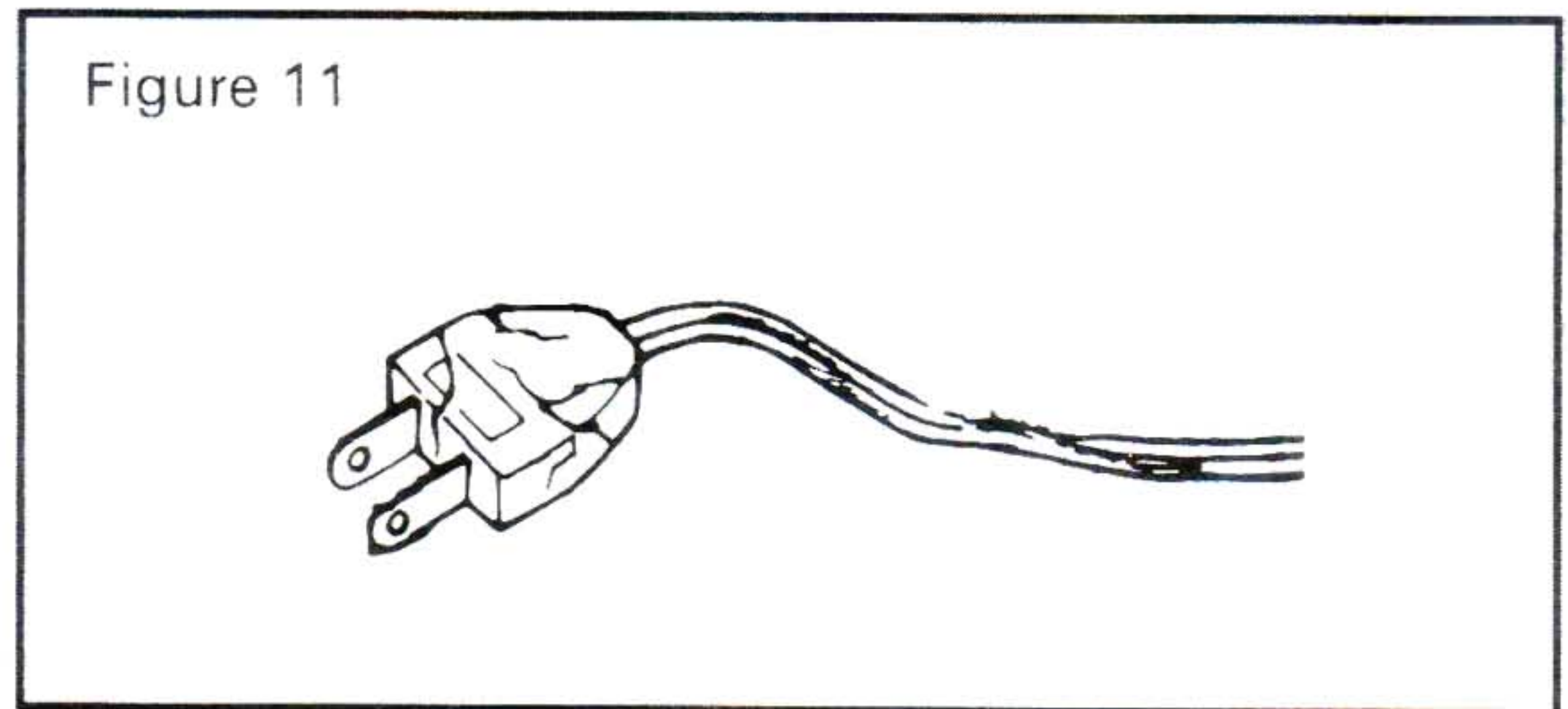
EXAMPLE OF ANTENNA GROUNDING ACCORDING TO NATIONAL ELECTRICAL CODE INSTRUCTIONS CONTAINED IN ARTICLE 810- "RADIO AND TELEVISION EQUIPMENT"



- a. Use No. 10 AWG copper, No. 8 AWG aluminum, No. 17 AWG copper-clad steel, bronze wire, or larger as ground wires for both mast and lead-in.
- b. Secure lead-in wire from antenna discharge unit and mast ground wire to house with stand-off insulators, spaced 4-6 feet (1.22-1.83 m) apart.
- c. Mount antenna discharge unit as closely as possible to where lead-in enters house.
- d. Use jumper wire not smaller than N0. 6 AWG (13.3mm<sup>2</sup>) copper, or the equivalent, when a separate antenna-grounding electrode is used. See NEC Section 810-21(j).

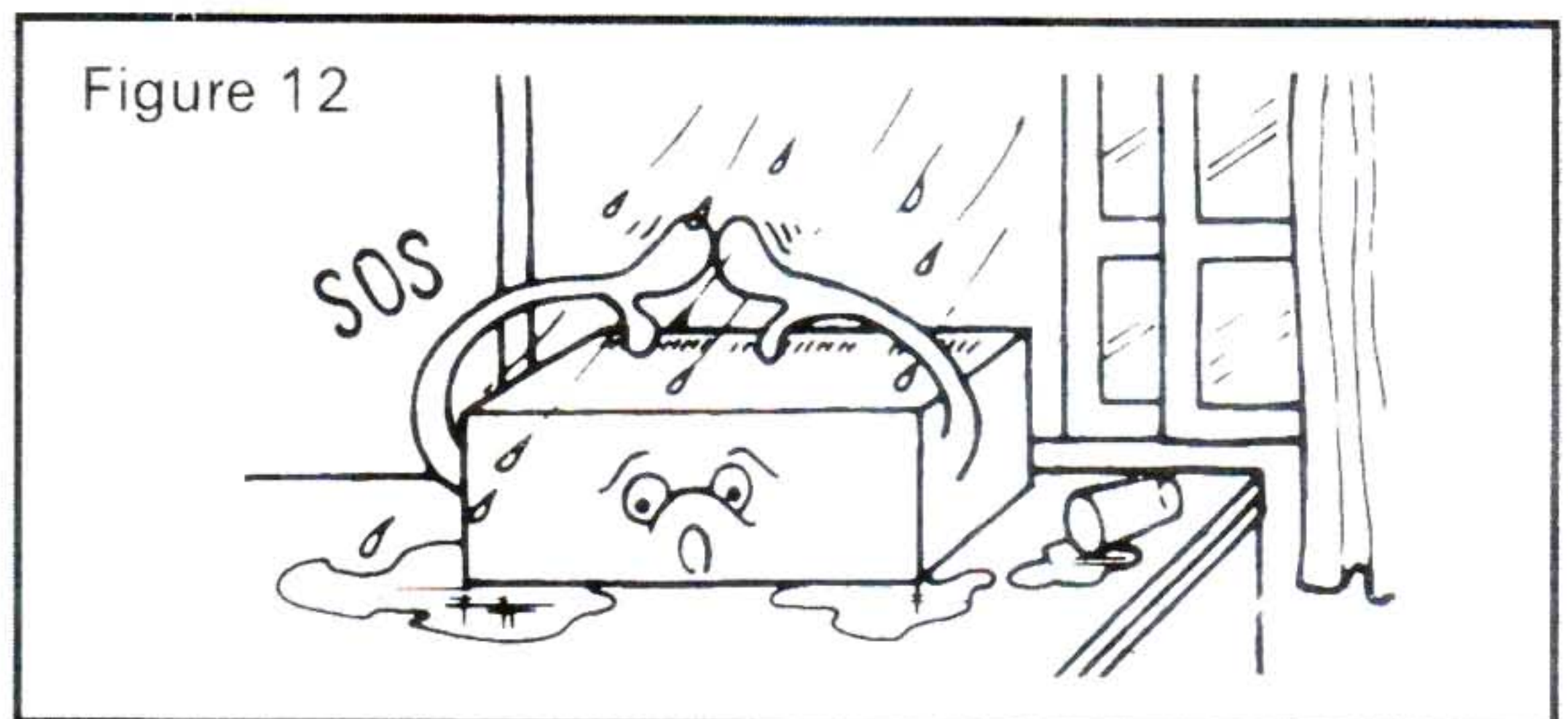
14. Unplug the audio equipment from the wall outlet and refer servicing to qualified personnel under the following conditions:

A. When the power cord or plug is damaged or frayed.



B. If liquid has been spilled into the audio equipment.

C. If the audio equipment has been exposed to rain or water.



D. If the audio equipment does not operate normally by following the operating instructions. Adjust only those controls that are covered in the operating instructions as important adjustments of other controls may result in damage and will often require extensive work by a qualified technician to restore the audio equipment to normal operation.

E. If the audio equipment has been dropped or the cabinet has been damaged.

F. When the audio equipment exhibits a distinct change in performance, this indicates a need for service.

15. The user should not attempt to service the appliance beyond what is described in the operating instructions. All other servicing should be referred to qualified service personnel.

16. The power cord of the appliance should be unplugged from the wall outlet when the unit is left unused for a long period of time.

17. Care should be taken so that objects do not fall and liquids are not spilled into the enclosure through the openings.

18. Precautions should be taken so that the polarization means of an appliance is not defeated.



## INTRODUCTION

Nous vous remercions d'avoir porté votre choix sur le tuner stéréo AM/FM NT-950 de NIKKO. Avant de quitter l'usine, chaque produit NIKKO est soumis à un contrôle de qualité sévère garantissant une fiabilité absolue. Afin de pouvoir profiter pleinement de votre nouveau tuner stéréo AM/FM, veuillez lire attentivement ce manuel et observer les instructions qui y sont données. Si vous avez des questions ou des doutes, n'hésitez pas à vous adresser au revendeur NIKKO le plus proche.

## PRECAUTIONS

### Installation

Afin de pouvoir tirer le maximum de cet appareil, veuillez particulièrement aux points suivants:

- Evitez d'exposer cet appareil en plein soleil ou de le placer à proximité d'une source de chaleur (radiateur, etc.).
- Evitez d'installer cet appareil dans un endroit mal aéré, humide ou poussiéreux.
- Installez cet appareil sur une surface plane et stable, à l'épreuve des vibrations.
- Evitez d'approcher des produits inflammables et ne vaporisez pas d'aérosol (laques pour cheveux, etc.) à proximité de cet appareil.
- Installez cet appareil à l'horizontale. S'il est incliné ou dressé à la verticale, un échauffement excessif risque d'endommager gravement les composants internes.

Les fentes situées sur le haut et le bas du coffret assurent une ventilation adéquate de l'appareil. Assurez-vous de ne pas empêcher la circulation de l'air par ces ouvertures en les obstruant (faites particulièrement attention aux tentures, à la moquette, aux napperons, etc.) ou en enlevant les pieds de l'appareil. Si vous installez cet appareil dans un meuble ou sur une étagère, veuillez à laisser un espace libre d'au moins 5 centimètres (2 pouces) de chaque côté.

**Attention:** Afin d'éviter tout risque d'incendie ou d'électrocution, ne pas exposer cet appareil à la pluie ou à l'humidité.

## CARACTERISTIQUES TECHNIQUES

### Section tuner FM

Sensibilité utilisable .....	11,2 dBf/2 $\mu$ V
Sensibilité du silencieux 50 dB	
Stéréo .....	WIDE: 39,2 dBf NARROW: 39,2 dBf
Mono .....	WIDE: 22,2 dBf NARROW: 17,2 dBf
Rapport signal/bruit	
Stéréo .....	70 dB
Mono .....	75 dB
Distorsion harmonique totale	
Stéréo .....	WIDE: 0,08% NARROW: 0,2%
Mono .....	WIDE: 0,05% NARROW: 0,1%
Séparation stéréo	
1 kHz .....	WIDE: 50 dB NARROW: 45 dB
100 Hz à 10 kHz .....	WIDE: 40 dB NARROW: 35 dB
Réponse en fréquence	
(50 Hz à 15 kHz) .....	+1,0 dB, -2,0 dB
Rapport de capture.....	WIDE: 1,5 dB NARROW: 2,0 dB
Sélectivité des canaux alternés....	50 dB                      80 dB
Rapport de réponse parasite.....	75 dB                      75 dB
Rapport de réjection FI .....	90 dB                      90 dB
Rapport de suppression AM.....	60 dB                      60 dB
Suppression de sous-porteuse ....	67 dB                      67 dB
Seuil de fonctionnement	
du silencieux .....	WIDE: 35,2 dBf NARROW: 35,2 dBf
Impédance antenne .....	75 $\Omega$ and 300 $\Omega$
Niveau de sortie .....	600 mV

### Section tuner AM

Sensibilité utilisable .....	350 $\mu$ V/m
Sélectivité .....	40 dB
Rapport signal/bruit .....	50 dB
Réjection d'image .....	40 dB
Réjection FI .....	40 dB
Distorsion harmonique totale .....	0,5%
Niveau de sortie .....	200 mV

### Spécifications générales

Alimentation	
Etats-Unis et Canada .....	Secteur, 120 V, 60 Hz
Europe .....	Secteur 220 V, 50 Hz
Consommation .....	440 (L) x 43,5 (H) x 265 (P) mm (17-1/4" x 1-3/4" x 10-2/5")
Poids (emballage non compris) .....	3,2 kg (7 lbs)

### Accessoires

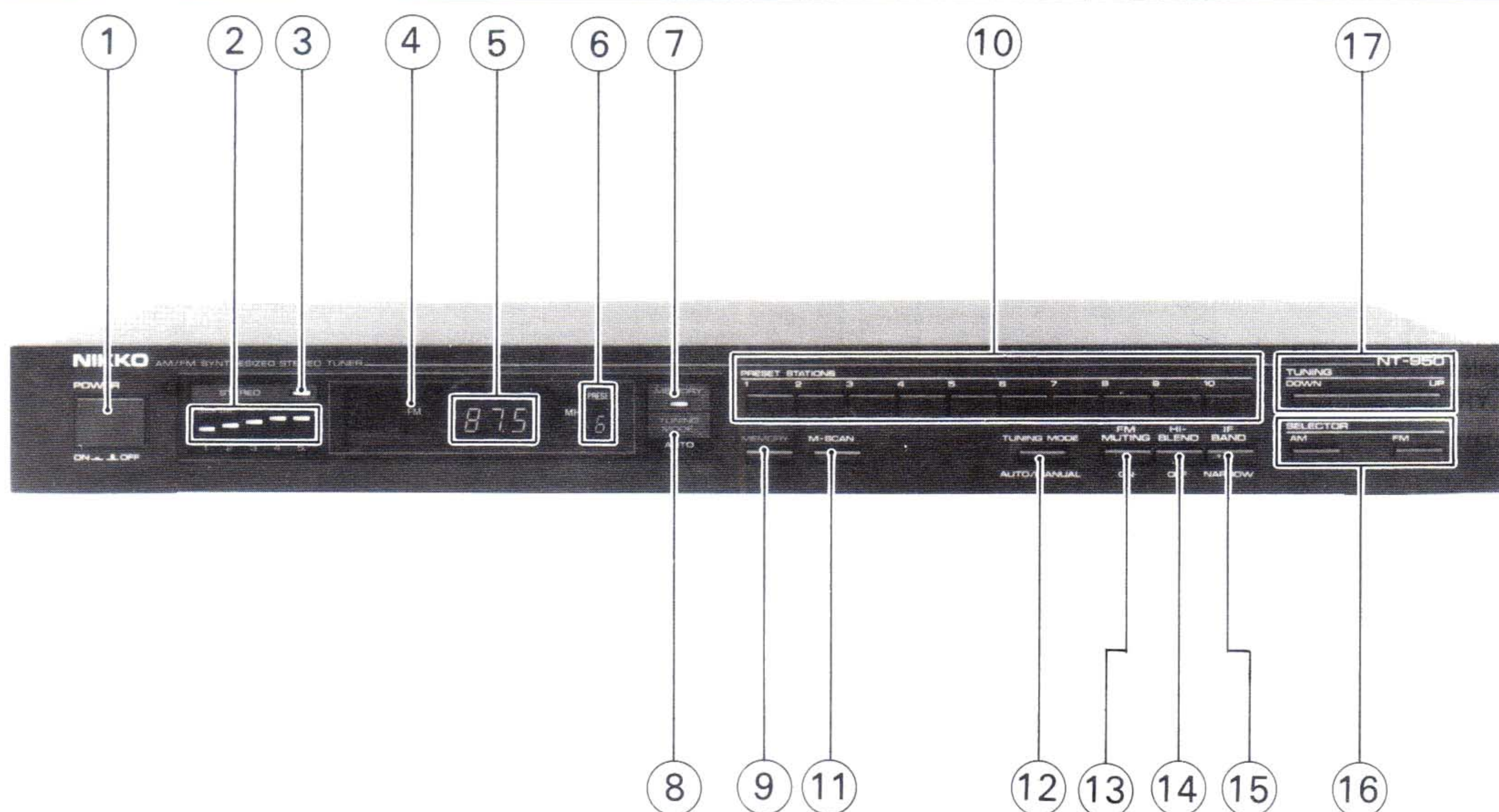
Antenne FM intérieure .....	1
Antenne-cadre AM .....	1
Câble à fiche à broches .....	1

\* Ces caractéristiques techniques sont susceptibles d'être modifiées sans préavis.

L'adaptateur de support de montage RM4 est disponible en option.



# COMMANDES



## 1 Interrupteur (POWER ON/OFF)

Appuyez une fois pour mettre sous tension et une seconde fois pour mettre hors tension.

## 2 Indicateur de puissance du signal (SIGNAL STRENGTH)

Indique la puissance du signal des stations AM et FM.

## 3 Témoin STEREO

Ce témoin s'allume lorsque des émissions FM stéréo sont captées.

## 4 Indicateur de fonction

Indique si la station sélectionnée est une station AM ou une station FM.

## 5 Affichage de la fréquence

Affiche la fréquence AM ou FM sur laquelle l'appareil est accordé en 4 chiffres.

## 6 Affichage du canal de présélection

Indique le numéro de la touche de présélection sous laquelle la station sélectionnée a été mémorisée. Lorsque l'appareil est mis hors tension puis remis sous tension, la dernière station sélectionnée est automatiquement rappelée.

## 7 Témoin MEMORY

Ce témoin se met à clignoter lorsque la touche MEMORY est pressée. Pressez l'une des touches de présélection pendant que ce témoin clignote pour mémoriser la fréquence affichée.

## 8 Témoin TUNING MODE

Ce témoin s'allume lorsque le mode d'accord automatique est sélectionné.

## 9 Touche MEMORY

Cette touche permet de programmer jusqu'à 10 stations FM et 10 stations AM sous les touches de présélection. Les présélections sont conservées en mémoire pendant 3 ou 4 jours en cas de coupure du courant ou lorsque le cordon d'alimentation est débranché.

## 10 Touches de présélection (PRESET STATIONS)

Pour accorder rapidement l'appareil sur une station FM ou AM, pressez la touche sous laquelle cette station a été mémorisée. La fréquence de la station apparaît sur l'affichage de la fréquence

5.

- Voyez page 11 pour plus de détails sur la programmation de présélections

## 11 Touche M-SCAN

Une pression sur cette touche entraîne un balayage en séquence des stations présélectionnées. Voyez page 11 pour plus de détails sur la fonction M-SCAN.

## 12 Touche TUNING MODE (AUTO/MANUAL)

Utilisez cette touche pour sélectionner soit le mode d'accord automatique, soit le mode d'accord manuel. Le témoin TUNING MODE 8 s'allume lorsque l'appareil est en mode d'accord automatique. Une pression supplémentaire sur la touche ramène l'appareil en mode d'accord manuel et éteint le témoin TUNING MODE.

## 13 Touche FM MUTING

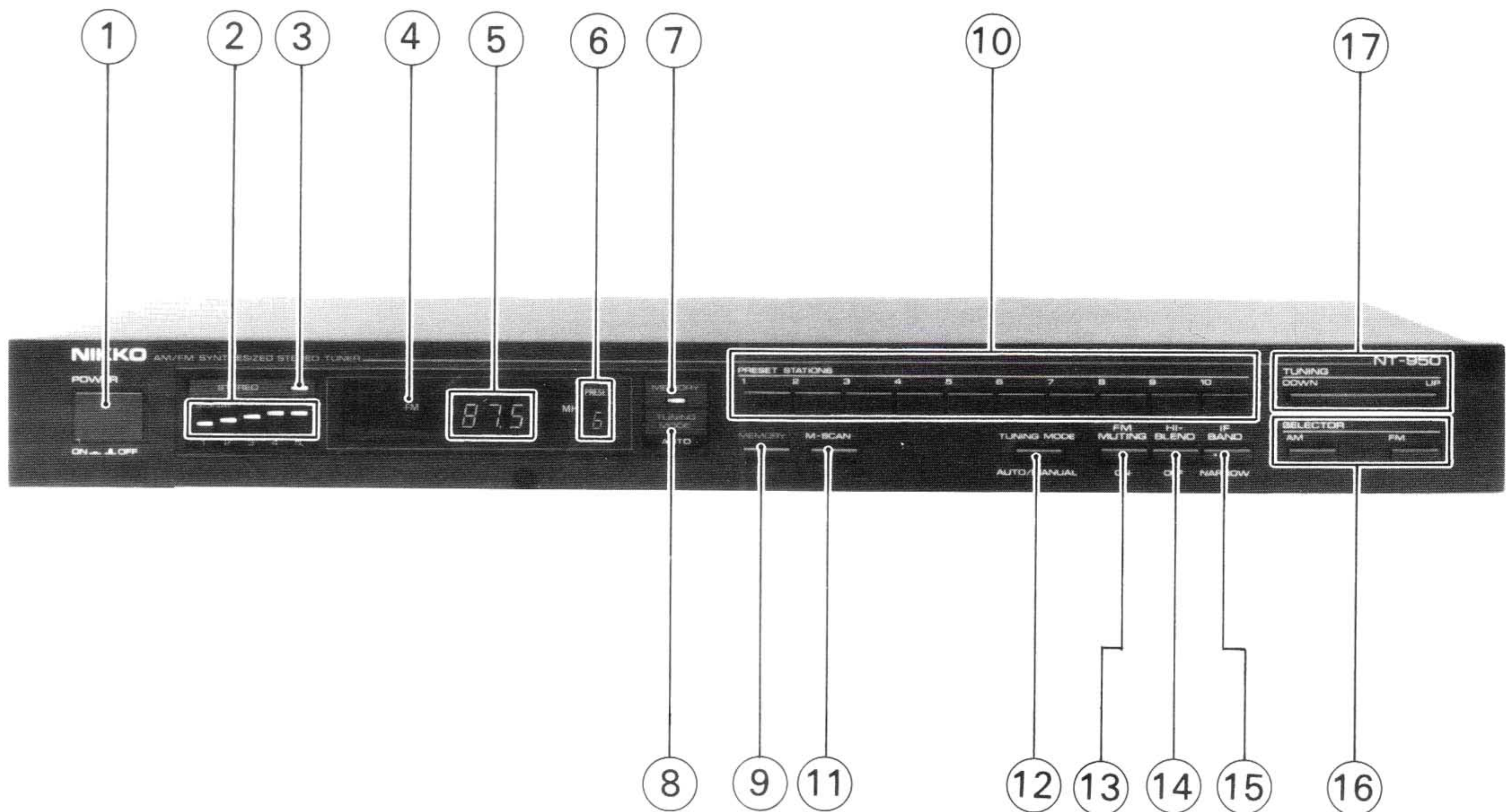
Pressez cette touche lorsque vous ne parvenez pas à capter une émission FM stéréo sans parasites ou lorsque le signal de la station est particulièrement faible. L'émission est alors reçue en mono (les signaux des deux canaux sont mélangés), ce qui améliore la réception.

## 14 Touche HI-BLEND

Pressez cette touche pour éliminer les bruits à haute fréquence du signal reçu. Lorsque la touche est pressée (ON), le témoin qui lui correspond s'allume.



# COMMANDES



## 15 Touche IF BAND/NARROW

Réglez cette touche sur la position IF BAND lorsque les conditions de réception sont bonnes (signal puissant, émetteur proche) et lorsque qu'il y a peu de parasites. Le témoin correspondant s'allumera et vous obtiendrez un son de haute qualité. Lorsque les conditions de réception sont mauvaises (signal faible, parasites), réglez cette touche sur la position NARROW.

## 16 Sélecteurs AM/FM (AM/FM SELECTOR)

FM: Pour la bande FM.  
AM: Pour la bande AM.

## 17 Touche d'accord (TUNING)

La fréquence augmente lorsque la partie droite (UP) de la touche est pressée et diminue lorsque la partie gauche (DOWN) est pressée.

- Lorsque la touche TUNING MODE 12 est réglée sur AUTO, la fréquence augmente ou diminue de manière continue jusqu'à ce qu'une station soit rencontrée.
- Lorsque la touche TUNING MODE 12 est réglée sur MANUAL, la fréquence est incrémentée ou décrémentée d'une unité à chaque pression. Si la touche est maintenue enfoncée pendant plus de 0,5 sec., la fréquence augmente ou diminue de manière continue jusqu'à ce que la touche soit relâchée.

Remarque: Si le signal d'une station est très faible, il n'est pas possible d'effectuer un accord automatique sur cette station. L'accord doit être effectué manuellement.



# CONNEXIONS ET UTILISATION

## Utilisation des touches de présélection

- A. POUR MEMORISER UNE STATION
- (1) Pressez le sélecteur FM ou AM 16.
  - (2) Utilisez la touche d'accord 17 pour sélectionner la station souhaitée. La fréquence de cette station apparaît sur l'affichage de la fréquence 5. La réception est optimale lorsque tous les segments LED de l'indicateur de puissance du signal 2 sont allumés.
  - (3) Lorsque vous avez trouvé la station souhaitée, pressez la touche MEMORY 9.
  - (4) Le témoin situé au-dessus de la touche MEMORY s'allume. Pressez alors une des touches de présélection pendant que le témoin MEMORY est allumé. Lorsque vous pressez une touche de présélection, le témoin correspondant à cette touche s'allume et le témoin MEMORY s'éteint. Jusqu'à 10 stations FM et 10 stations AM peuvent être mémorisées de cette manière.

Remarque: • Lorsque la touche MEMORY a été pressée, le témoin MEMORY reste allumé pendant 5 sec. Vous devez presser l'une des touches de présélection pendant que ce témoin est allumé, sinon la station ne pourra pas être mémorisée. Si le témoin s'éteint avant que vous n'ayez pressé une touche de présélection, appuyez à nouveau sur la touche MEMORY.

- B. POUR RAPPELER UNE STATION PRESELECTIONNEE
- (1) Pressez le sélecteur FM ou AM 16.
  - (2) Pressez la touche de présélection 10 sous laquelle la station souhaitée a été mémorisée.

Remarque: • Si l'appareil a été déconnecté pendant plus de quatre jours, il se peut que les présélections soient effacées.

- C. POUR SUPPRIMER UNE STATION PRESELECTIONNEE
- Pour supprimer une station présélectionnée et en mémoriser une autre, suivez simplement les étapes 1 à 4 ci-dessus. La station antérieure sera supprimée et la nouvelle sera mémorisée à sa place.

## La fonction M-SCAN

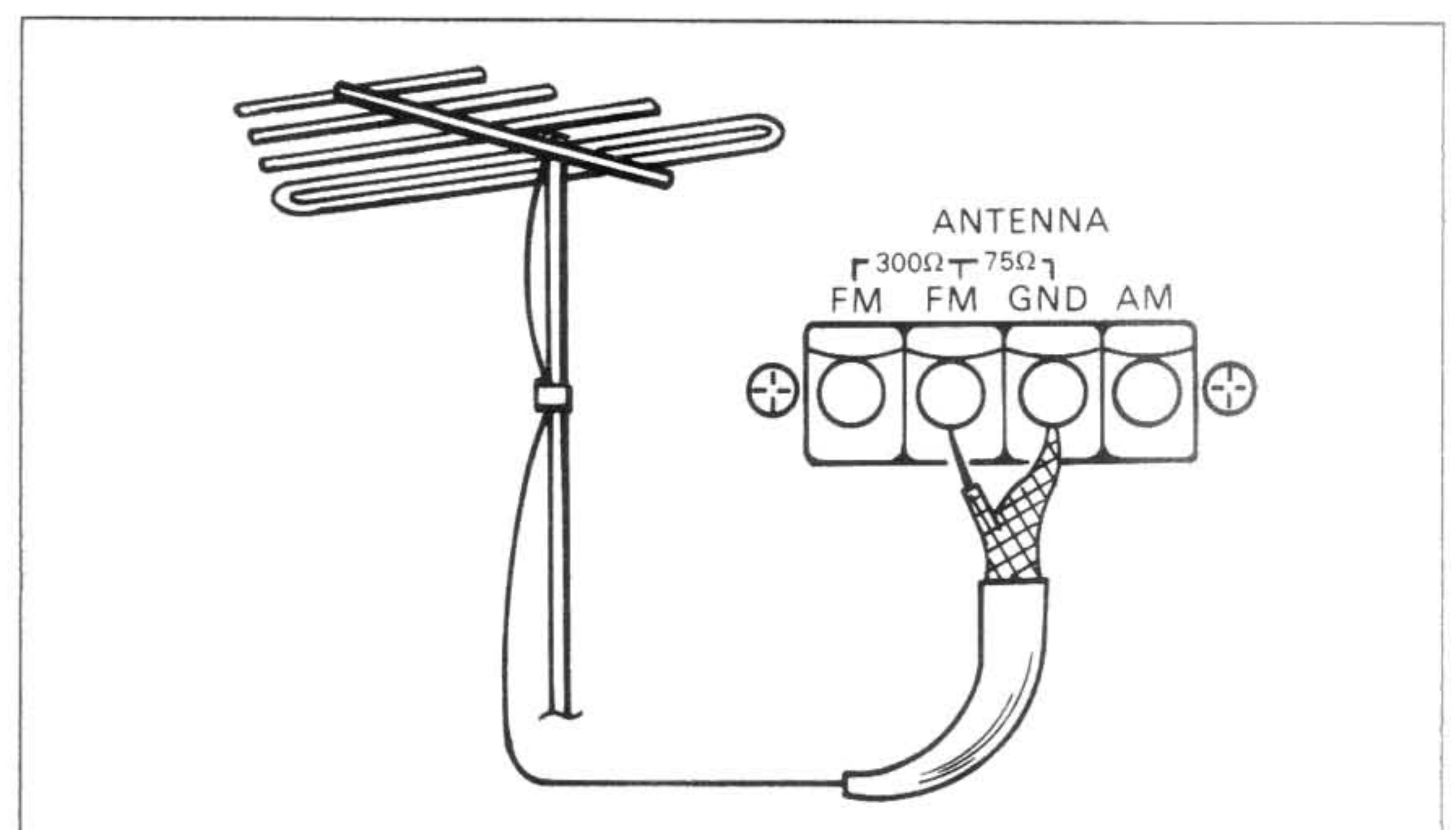
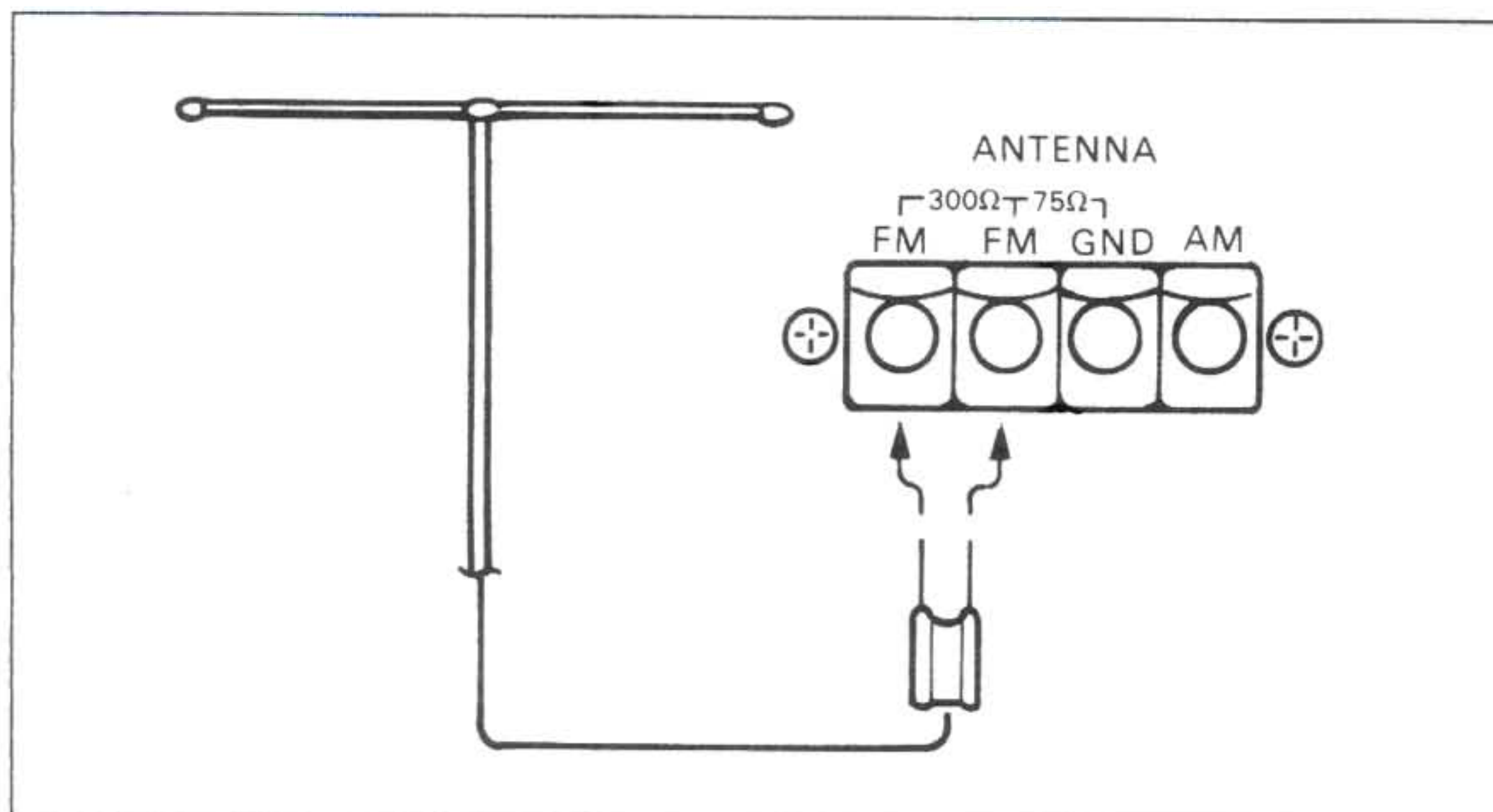
Lorsque la touche M-SCAN 11 est pressée, les stations présélectionnées sont parcourues l'une après l'autre, du numéro de mémoire le plus petit au numéro de mémoire le plus grand.

Les fréquences des stations présélectionnées apparaissent l'une après l'autre sur l'affichage de la fréquence 5 et le témoin de la touche de présélection sous laquelle la fréquence affichée a été mémorisée s'allume simultanément.

## Utilisation FM

- Antenne FM
- (1) Connectez l'antenne FM intérieure fournie aux bornes d'antenne FM de 300  $\Omega$  du panneau arrière.
  - (2) Tendez les deux extrémités de l'antenne et déplacez lentement l'antenne pour trouver la position qui offre la meilleure réception (utilisez l'indicateur de puissance du signal comme référence). Accrochez alors l'antenne au mur ou sur une autre surface, dans cette position. L'antenne de type "en T" fournie est suffisante

dans les régions où les signaux FM sont forts. Si les signaux FM sont faibles, installez une antenne extérieure avec le nombre d'éléments adéquat pour votre région. Si vous installez une antenne extérieure, connectez-la avec un câble parallèle de 300  $\Omega$  ou un câble coaxial de 75  $\Omega$ . Un câble coaxial de 75  $\Omega$  est préférable si la réception risque d'être perturbée par le système d'allumage de véhicules automobiles.





# CONNEXIONS ET UTILISATION

## • Connexion d'un câble coaxial

Dénudez l'extrémité du câble (enlevez la gaine extérieure), séparez la tresse externe du fil central et dénudez le fil central de son isolation sur environ 15 mm (0,59 pouces). Connectez l'extrémité dénudée du fil central à la borne FM de 75  $\Omega$  et la tresse externe à la borne de mise à la masse (GND).

## • Réception FM

- (1) Pressez le sélecteur FM ⑯.
- (2) Sélectionnez la station FM souhaitée au moyen des touches de présélection ⑩ ou de la touche d'accord ⑰. La réception est optimale lorsque tous les segments LED de l'indicateur de puissance du signal ② sont allumés.
- (3) Si la station émet en stéréo, le témoin STEREO ③ s'allume.

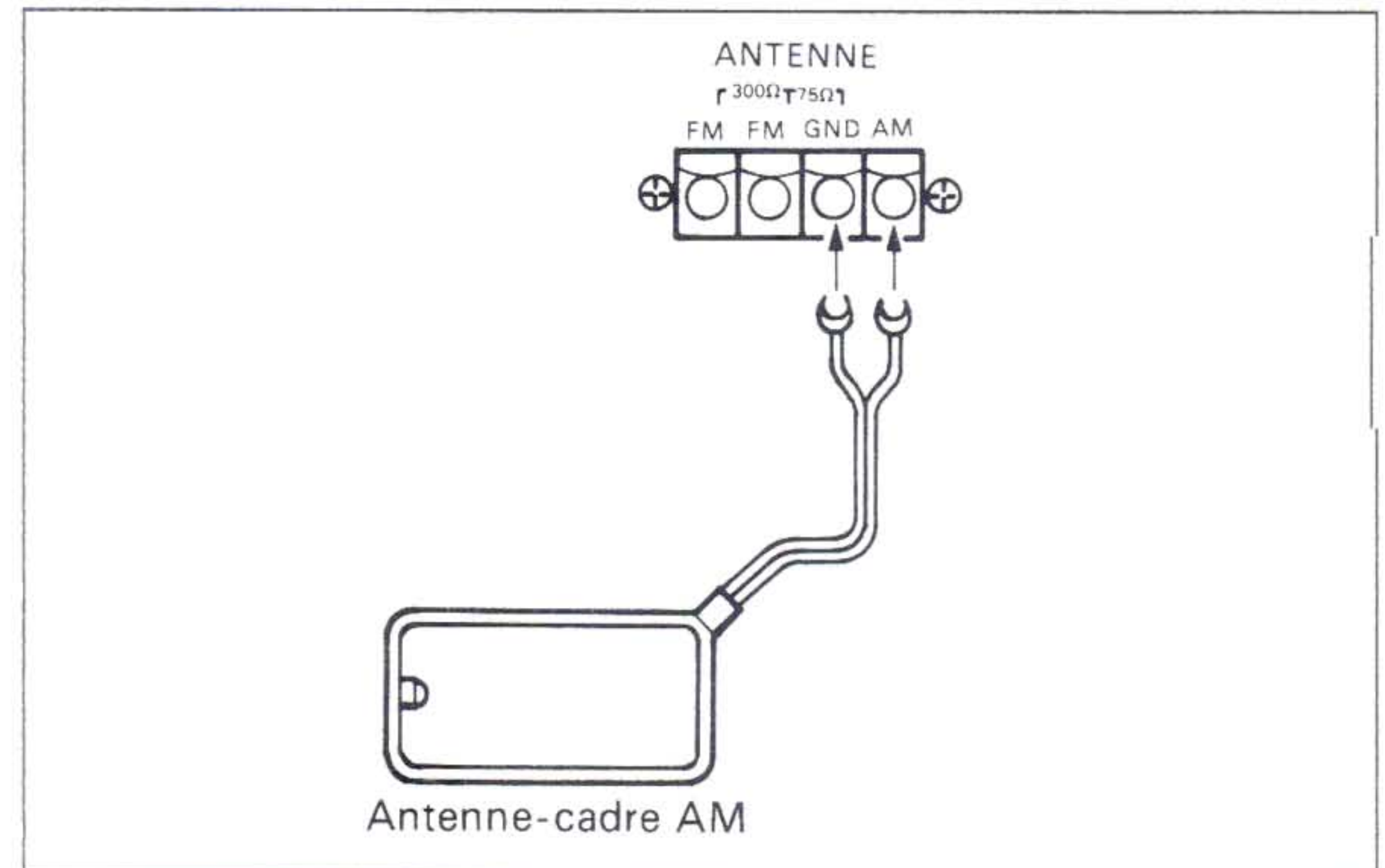
## Utilisation AM

### • Antenne AM

Cet appareil comprend une antenne-cadre tout à fait suffisante pour la réception AM. Fixez-la au mur pour obtenir le signal le plus clair possible.

### • Réception AM

- (1) Pressez le sélecteur AM ⑮.
- (2) Sélectionnez la station AM souhaitée au moyen des touches de présélection ⑩ ou de la touche d'accord ⑰. La réception est optimale lorsque tous les segments LED de l'indicateur de puissance du signal ② sont allumés.





---

**ASTI PACIFIC CORPORATION**

1318 Nishijima-cho, Hamamatsu, 430 Japan

**ASTI NIKKO TECHNOLOGY CORPORATION OF AMERICA**

HEAD OFFICE 5830 South Triangle Drive Commerce, Calif. 90040 U.S.A.

---